

# Above

Above - 5741099388

The fixture emits soft comfortable downlight. The conical shape and the matt, white-painted inside help assure even distribution of the light. The opening in the top of the fixture provides decorative illumination of the arch above, and ensures that the fixture retains the full expression of its visual shape both when illuminated and when switched off.



## Mads Ogdgård

The Danish designer Mads Ogdgård (1960 to present), is a leading figure in a new generation of international designers. He is a minimalist and a 'less is more' man, who would rather deduct than add. More than anything, he believes that excellent design must be logical and functional if it is to endure.

---

**Set location:**  
**Alpha Dominche**



## Product info

### Finish

White, matt or Black, matt, wet painted.

### Materials

Shade: Spun aluminium.

### Mounting

Suspension type: Cable 2x0,75mm<sup>2</sup> (Ø175/250) Cable 2x1,00mm<sup>2</sup> (Ø400) Cable 2x0,75mm<sup>2</sup> with wire (Ø550).  
Canopy: Yes. Cable length: 3m (Ø175/250/400), 4m (Ø550).

### Sizes and weights

Width x Height x Length (mm) | 550 x 660 x 550 Max 3.7 kg | 175 x 210 x 175 Max 0.6 kg | 250 x 300 x 250 Max 1.0 kg | 400 x 480 x 400 Max 2.4 kg

### Class

Ingress protection IP20. Electric shock protection II.

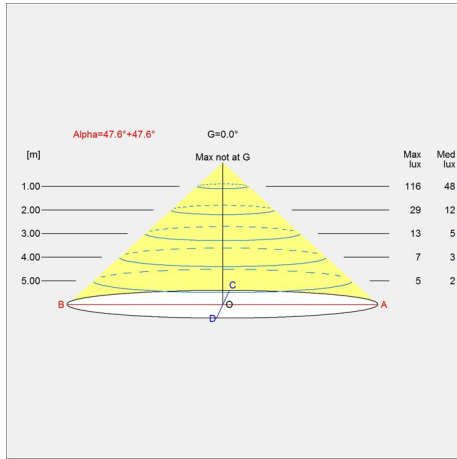
### Light source & energy class

A+ - E | 1x60W E27

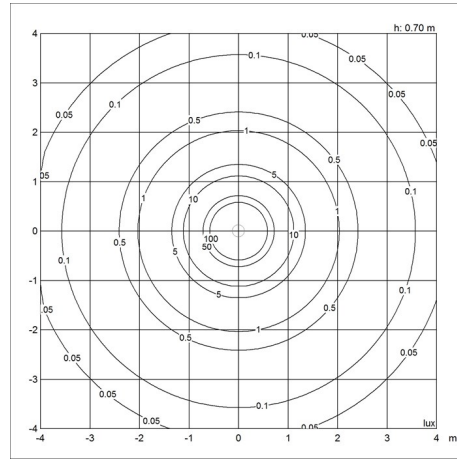


# Light distribution diagrams

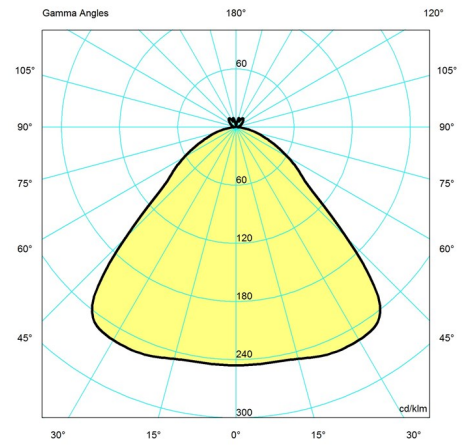
Cartesian



Isolux



Polar



## Spare parts & accessories

Product	Variant number
CANOPY BLACK 2-PART, TOPHAT ®	5749329021
ABOVE PEND 250 ANTI-GLARE SHADE MAT	5741910483
ABOVE PEND 400/550 ANTI-GLARE SHADE MAT	5741910496

## Data specifications

BUG Rating	<b>B0 U2 G0</b>	Built-in Height	-
Class	-	CRI	-
Efficacy	-	Height	<b>300</b>
IK class	-	Inrush Current	-
IP class	<b>20</b>	Kelvin	-
L80B10 (hours)	-	L80B50 (hours)	-
Length	<b>250</b>	Light source	<b>1x60W E27</b>

Lumen	-
Net Weight	<b>0.955</b>
SDCM	-
Surge Protection. I <sub>max</sub> IEC/EN61643-11, V IEC/EN61547	-
Watt	-
Wind Load per m2	-

Min. Dim Level (%)	-
Power Factor (P = 100 % / P = 50 %)	-
Standby (W)	-
UGR Transversal / Axial	<b>15.1/15.1</b>
Width	<b>250</b>